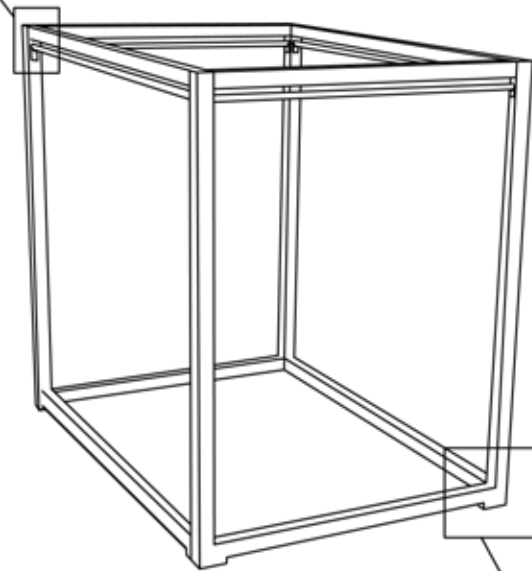
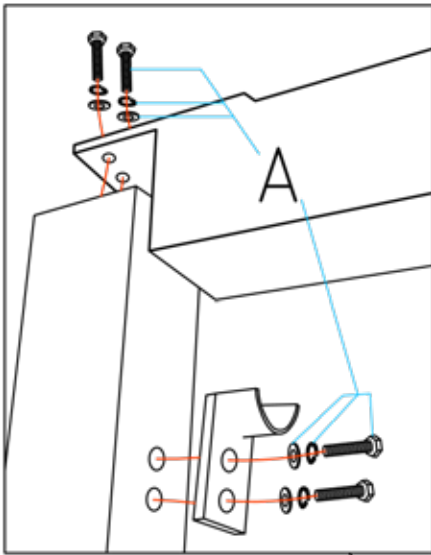

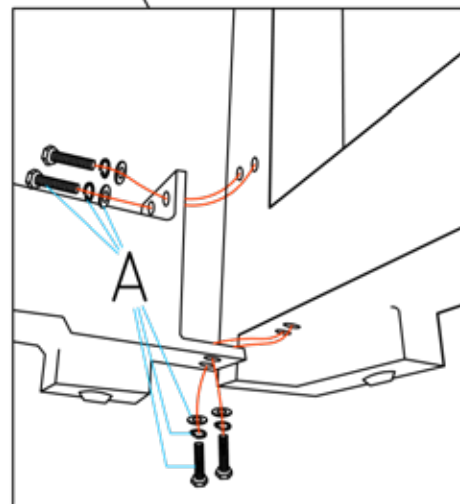


INSTRUCTION



PART LIST

No.	A
Photo	
Amount	32 sets



CANOPY/CURTAIN INSTALLATION

The Cabana daybed frame is rectangular with two short sides and two long sides. The canopy/curtains ship in 3 pieces: one continuous panel for the two long sides attached to the canopy (top) (side a panel + canopy + side b panel), and two smaller panel pieces for the two short sides.

The canopy/curtain panel pieces are affixed to the canopy/curtain rods which are then mounted on the corner brackets (see figure A.)

Note: Two people required

For the two short sides:

- 1) Feed the two short drapery rods into the channel on each of the two smaller side curtain panels.
- 2) Place the curtain rods into the corner brackets at each end of the short sides on the cabana frame.

For the two long sides and canopy (top):

The side curtains panels are attached to the canopy which covers the top of the cabana frame and are one continuous panel.

- 1) Lay the continuous panel out on a flat surface and locate the canopy in the centre of the panel.
- 2) Locate the channel at the top of each of the side panels where they are attached to the canopy.
- 3) Feed the two long drapery rods into the channel on each of the two side curtain panels.
- 4) With each person picking up one drapery rod with the canopy between them, carefully lift each rod into the corner brackets at each end of the long sides on the cabana frame as shown below:



Installation complete!



- 5) Use fabric ties provided to affix the side curtain panels in an "open" position as shown below:

