

CABANACOAST



AXIS CANTILEVER UMBRELLAS

Owner's Manual

Congratulations on purchasing your Axis Cantilever Umbrella!

The Axis is manufactured using the highest standard materials and fabrics on the market, and is perfectly designed to give you many years of enjoyment. The following information is to inform you how to operate your Axis Cantilever Umbrella to ensure trouble free use and ease of operation. Please follow these instructions as they are designed to assist operation and prolong the life of your umbrella.

GENERAL INFORMATION:

Your Axis Umbrella is principally intended for use in low to moderate wind conditions and will provide you with many hours of protection from sun and light rain. You will get maximum benefit from your umbrella when you use it in accordance with our instructions and in the weather condition for which it was designed.

Do not leave umbrella open when unattended, particularly in windy conditions.

Your Axis Umbrella should be closed and securely strapped in strong winds and adverse weather conditions.

Always secure your umbrella to an appropriate base.

Please avoid any modifications to your umbrella, except those authorized CABANACOAST. Such modifications may void the warranty. Make sure your Axis is dry and clean prior to storing away for extended periods of time to prevent mold from developing.

Be careful when closing to ensure the canopy does not get caught or “pinched” by the umbrella arms. This is particularly important before storing the umbrella away for extended periods of time or if the umbrella is to be laid horizontally for storage. Damage to the fabric caused by “pinching” is not covered by the warranty.

Inspect the installation mount/base on a regular basis and tighten as necessary.

SIMPLE MAINTENANCE PROCEDURES

In coastal or metropolitan environments, frequent washing of the complete unit is very beneficial. Particularly the slider car, slider car guide tracks, and rotating mechanism.

Should the 16 rotating mechanism stop pin holes become filled with sand or dust etc., lifting your umbrella up off the spigot by 1" will allow the dust cover to be lifted and the 16 holes can be cleaned. This will be a two person operation.

Silicon spray in the slider car wheels will assist operation if required.

Fold the acrylic canvas as mentioned in "Closing the Axis" (Page 8). This will prolong the new look of the canvas and prevent marking caused by "pinching" in the alloy frame.

All parts are virtually maintenance free (e.g. aluminum, stainless steel, etc.) However, it is recommended that if the umbrella is not to be used for an extended period of time (winter months), to place the umbrella in storage. You may even remove the spigot when the umbrella is not in use, as it can be a tripping hazard.

FABRIC CARE

The best way to keep the fabric canopy looking good is to simply brush off dirt before it becomes embedded in the fabric and wiping off any stain soon after it occurs. The longer a stain remains on the fabric, the more difficult they can be to remove.

Spot cleaning of stains using a soft bristle brush or sponge and a cleaning solution of 1/4 cup mild soap, such as Woolite or Dawn dishwashing liquid, per gallon of lukewarm water will remove most stains.

Spray the umbrella first with clean water. After cleaning, rinse with water to remove all traces of soap. If a hose is used, avoid high pressure.

Let air dry and do not close the umbrella until the canvas is completely dry.

For further cleaning instructions, refer to the fabric manufacturer's care instructions or contact CABANACOAST Customer Service.

The included protective cover should be used when the umbrella will not be operated for an extended period of time.

GUIDELINES TO CONSIDER WHEN INSTALLING:

OPENING ARC

When choosing a location to install your umbrella, it is important to be aware of the umbrella's arm closing height and opening arc. Your umbrella may connect with a wall, fence or furniture if situated too close.

ROTATION SPACE

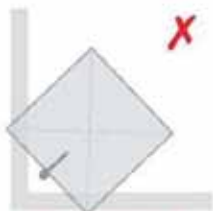
Be aware of the clearance space required if you wish to rotate your umbrella. Nearby walls, trees, fences or a balustrade can limit this umbrella feature. Positioning your umbrella in a corner can severely limit your space to rotate.

PRE CHECK THE SPACE

Where possible, we recommend the umbrella is stood up in the desired installation location, and fully opened before installing the ground fittings. This is to ensure that the umbrella will fit, and that the installation location is correct. We recommend this is done in little or no wind.



GOOD RULE OF THUMB WHEN INSTALLING AN UMBRELLA WITH FULL 360°, MEASURE FOR CANOPY ON EACH SIDE



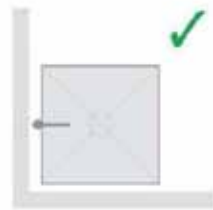
TOO CLOSE TO A FENCE OR WALL



ALLOWING ENOUGH DISTANCE FOR OPENING AND ROTATION



POSITIONING YOUR UMBRELLA AGAINST A WALL OR FENCE WILL LIMIT YOUR ROTATION, BUT NOT OVERALL FUNCTION OF YOUR UMBRELLA



SQUARE UMBRELLAS ARE BEST INSTALLED SQUARE TO THE WALL OR FENCE



OCTAGONAL UMBRELLAS ARE BEST SUITED TO INSTALLED OF THE CORNER OF A WALL OR FENCE

Your Axis Cantilever Umbrella is delivered fully assembled. There are four different ways to install your Axis Cantilever Umbrella:

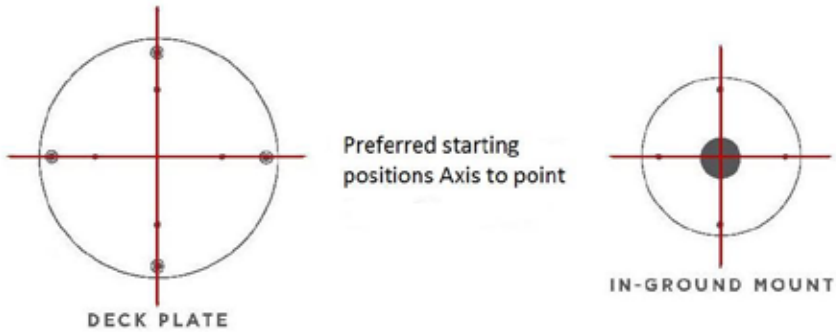
1. Installing on a wooden deck using a Deck Plate.
2. Installing on an existing concrete slab or pavers using a Deck Plate.
3. Installing into the ground (i.e. into a lawn, garden or paved patio) using the In-Ground mount.
4. Installing on a free-standing base.

Prior to installing your installation mounts please read the important information below:

CORRECT ALIGNMENT OF INSTALLATION OPTIONS: Your Axis Cantilever Umbrella can rotate 360° and be locked in 16 different locations. This means that every 22.5° of rotation there is provision to lock the umbrella. In most situations there will be a preferred area over which you will predominantly want shade. To ensure you have the ability to shade your preferred location you must have one of the 22.5° rotation locking holes in line with this position. Please have a look at the underside of your spigot to see these 16 locking holes

There is a locking hole in line with each of the 4 spigot bolt holes in the spigot plate. There are also three intermediate holes between each of the spigot bolt holes and these are marked with an indicator mark on the top of the spigot plate.

To point your umbrella in the perfect direction or to have a symmetrical installation (especially when installing square umbrellas) it is very important to make sure you install the Base Plate or In-Ground mount square to the direction that you predominantly want the umbrella to point.



There are four different ways to install your Axis umbrella. Select the installation method from the following pages for the relevant instructions.

IN-GROUND INSTALLATIONS

Your umbrella comes with a spigot. Once you have installed the In-Ground mount according to the instructions below, attach the spigot to the In-Ground mount using the supplied Allen key and bolts. Once the concrete has fully cured, lift the umbrella on to the top of the spigot. This is recommended as a two person operation.

IMPORTANT: Be sure to have read "GUIDELINES TO CONSIDER WHEN INSTALLING" (Pages 5-6) before beginning the installation process.

When installation is required in-ground (into soil or sand etc.), an in-ground mount must be used. This is a Galvanized-steel mount which must be concreted into position. Once you have decided on the location of the umbrella/in-ground mount you will need to dig a hole in that location for a concrete footing to be installed. Where terrain differs from thick clay to sand or fine soil then a different sized footing hole must be prepared and a different volume of concrete used. As a guide only; a hole 16" wide x 27.5" deep is recommended for heavy clay terrain. If installing the mount into topsoil or sand, you will need a larger hole and more concrete. We would recommend increasing the depth of the

hole, however, it's best that you seek appropriate advice from a licensed contractor for your specific circumstances. When pouring the concrete, it is advisable to install a few lengths of re-bar into the concrete to prevent the possibility of cracking in the future. Remember the depth of hole is more important than width, and it is much easier to make the hole large at the time of installation than to try and re-stabilize the in-ground mount should it start to move at a later date.

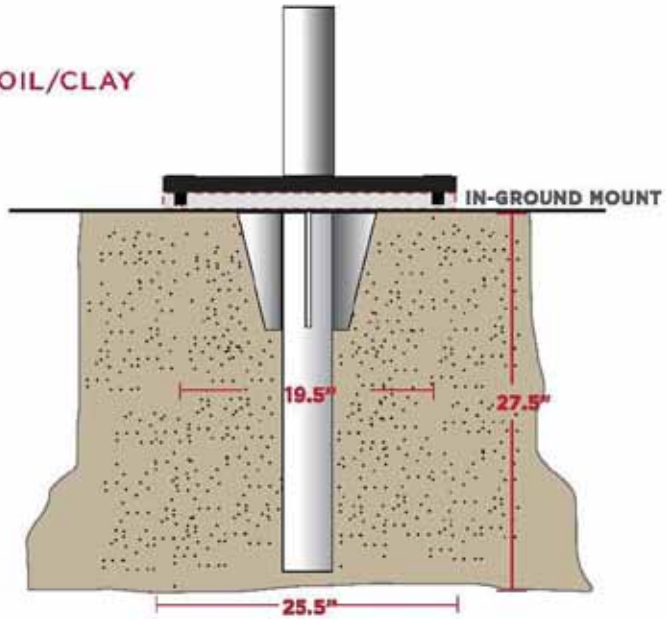
- TIP: Remember the depth of hole is more important than width, and it is much easier to make the hole large at the time of installation than to try and re-stabilize the in-ground mount should it start to move at a later date.

If installing into a paved patio, you may need to remove some pavers/tiles to facilitate the in-ground mount and have them cut and reinstalled back around the circular in-ground mount plate to give a clean, flush installation. When setting the in-ground mount into concrete, the top surface of the mount should be at the same level as your patio surface, so that if the umbrella is removed or relocated, then the face of the mount is flush to your surface.

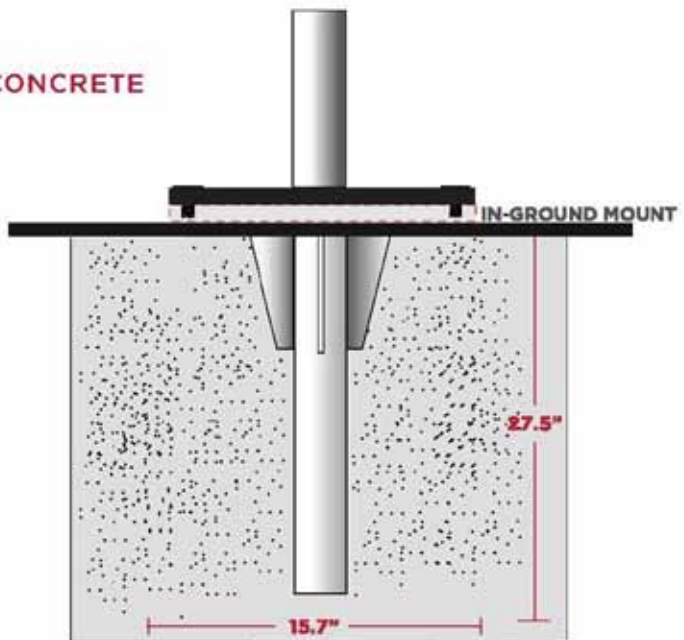
IMPORTANT: Align one of the screw holes in the top of the spigot with your desired 12 o'clock position on the umbrella. Assure that the in-ground-mount plate is level. After the in-ground mount has been installed and the correct amount of time has passed for the concrete to harden and "cure", you can finally stand up your Axis umbrella on the mount.

Now that your In-Ground mount is installed and you're ready to attach your Axis spigot, you will need to remove the four "grub-screws" that are installed in the four spigot-bolt holes in the in-ground mount. Lift the Axis umbrella and spigot on top of the mount. It will take two people to complete this. One person can hold the umbrella in the upright position while the second person finds and locates the four holes for the spigot bolts. Screw in all four spigot bolts loosely by hand. Once all four spigot bolts are in then you can use the supplied allen key to tighten up the bolts. Now you can carefully open your umbrella for the first time.

SOIL/CLAY



CONCRETE



SURFACE INSTALLATIONS

Your umbrella comes with a spigot. Once you have installed the Deck Plate mount according to the instructions below, attach the spigot to the Deck Plate mount using the supplied Allen key and bolts. This is recommended as a two person operation.

IMPORTANT: Be sure to have read "GUIDELINES TO CONSIDER WHEN INSTALLING" (Pages 5-6) before beginning the installation process.

INSTALLING ON A WOOD DECK USING A BASE PLATE:

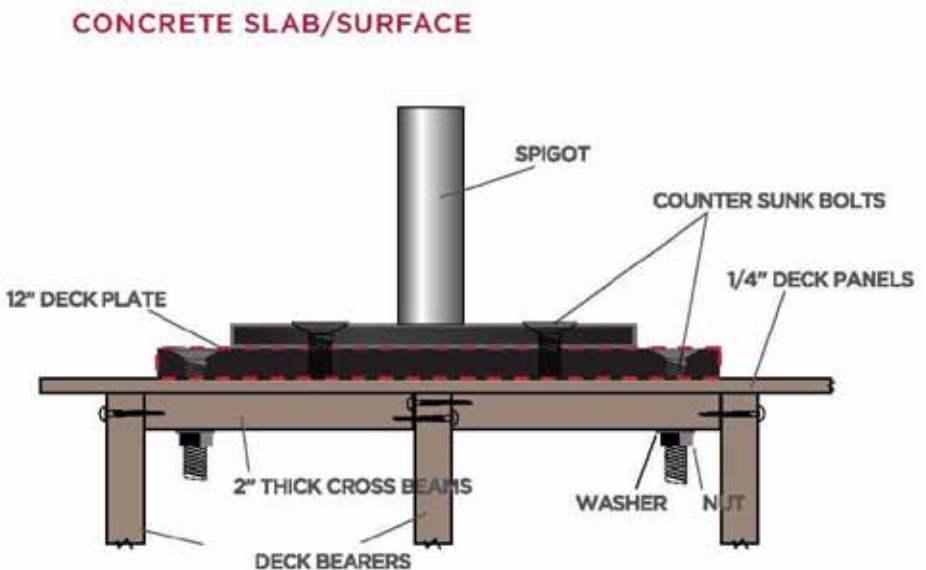
To install your Axis umbrella onto a wood deck the following instructions should be followed. Installing your Axis umbrella onto a wood deck you will need the following:

- ☒ Deck Plate and deck bolts (purchased by you or supplied by your hired professional contractor)
- ☒ A decently amp rated corded or cordless power drill.
- ☒ A scrap piece of wood (to make a reinforcing "nog") and suitable hardware to secure the nog to the deck joists.
- ☒ **IMPORTANT:** Your umbrella must be bolted down into a reinforced "nog" that is fixed under the deck planks to the deck joist. The umbrella must not only be fixed to the deck planking as this will likely result in the deck planks "pulling up" and the umbrella falling over in high winds.

Once you have decided on the location of the Axis/Deck Plate then use the four outer holes in the deck plate as a template to start drilling each of the holes in the deck. Make sure each of the four holes go through decking and miss the joists. Using the four holes drilled in the deck as a guide, you now need to install a reinforcing "nog"/brace hard up under the decking for the deck plate bolts to be fixed into. It is recommended that two wood "nogs" or "braces" be secured between the deck joists or bearers that form the structural frame of the deck. Ideally the "nog"/brace should be two short lengths of 4"x4" wood posts side by side, or alternatively two pieces of 2"x8" wood joists joined together for the umbrella deck plate to bolt through. The "nog"/brace must then be securely

fixed to the deck frame/joists using suitable hardware. These may be large galvanized nails, coach screws or builders brackets etc. If the installation is in a sea spray zone or coastal environment then stainless steel hardware is recommended.

You can now use the four holes already drilled in your decking and drill them all the way through the newly installed “nog”/brace under the decking. Put the deck plate in place and install purchased through the plate, decking and nog. Use a washer and nut on the underside of the bolt under the deck and torque down tight. After the deck plate has been securely fixed to the deck you should now remove the four “grub bolts” that are installed in the four spigot-bolt holes. (The purpose of these grub bolts is to keep dirt out of the threaded holes when not in use). Attach the spigot to the deck plate using the supplied hardware and tighten down with the supplied allen key. Lift the Axis umbrella onto the spigot on top of the base plate. Now you can carefully open your umbrella for the first time.



Your umbrella comes with a spigot. Once you have installed the Deck Plate mount according to the instructions below, attach the spigot to the Deck Plate mount using the supplied Allen key and bolts. This is recommended as a two person operation.

IMPORTANT: Be sure to have read "GUIDELINES TO CONSIDER WHEN INSTALLING" (Pages 5-6) before beginning the installation process.

INSTALLING ON A NEW CONCRETE SLAB:

To install your Axis umbrella onto an existing concrete slab you will need the following: base plate, suitable concrete bolts (we recommend concrete bolts approximately .5" x 4":)

- Deck Plate and deck bolts (purchased by you or supplied by your hired professional contractor. (We recommend concrete bolts approximately 10 x 100mm)

- A hammer drill with masonry bits.

- A socket set

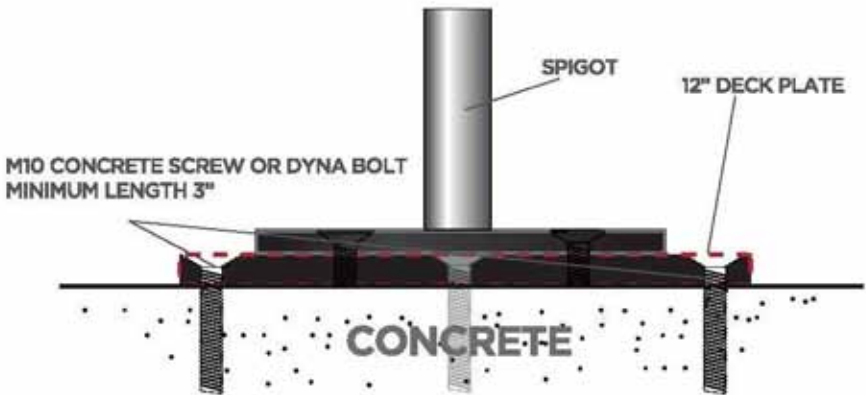
- A trusted level.

IMPORTANT: Your umbrella must be bolted down into concrete at least 4" deep. Keep a cushion of 6-8" from edge of concrete slab.

Once you have decided on the location of the Axis/Deck Plate then use the four outer holes in the deck plate as a template to start drilling each of the holes in to the concrete. Drill each of the four holes using a hammer drill, down to about .5" deeper than the concrete bolt being used. This allows space for the bolt if dust falls to the bottom of the hole. Drill the holes at the correct diameter for the bolts provided. Use a level to ensure the base plate is level once all four holes have been drilled. If the deck plate is not level, use galvanized or stainless steel washers to level the deck plate on the concrete. Torque down the four bolts through the base plate with washers (if needed) until they are fully wound in and are tightly holding the deck plate.

After the deck plate has been securely fixed to the deck you should now remove the four “grub bolts” that are installed in the four spigot-bolt holes. (The purpose of these grub bolts is to keep dirt out of the threaded holes when not in use). These grub bolts is to keep dirt out of the threaded holes when not in use). Attach the spigot to the deck plate using the supplied hardware and tighten down with the supplied allen key. Lift the Axis umbrella onto the spigot on top of the base plate. Now you can carefully open your umbrella for the first time.

CONCRETE SLAB/SURFACE



BASE OPTIONS

STACKING GALVANIZED STEEL PLATES:

Your umbrella comes with a spigot. Once you have properly stacked your G-Plates with your threaded holes lined up on the bottom of the two above plates, bolt your spigot and thread it through the bottom plate.

IMPORTANT: Be sure to have read “GUIDELINES TO CONSIDER WHEN INSTALLING” (Pages 5-6) before beginning the installation process.

NOTE: To install your Axis umbrella onto your G-Plate stack, you'll first need to remove the "grub-screws" from the plate you wish to use on the bottom.

3x 40G Galvanized Steel Plates

6mm allen key to remove "grub-screws" (Supplied with your base hardware)

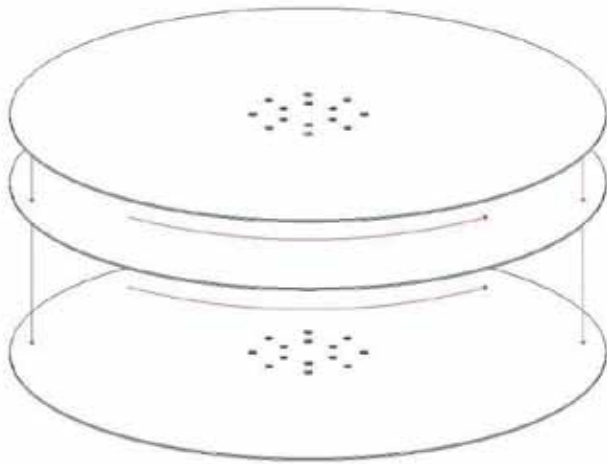
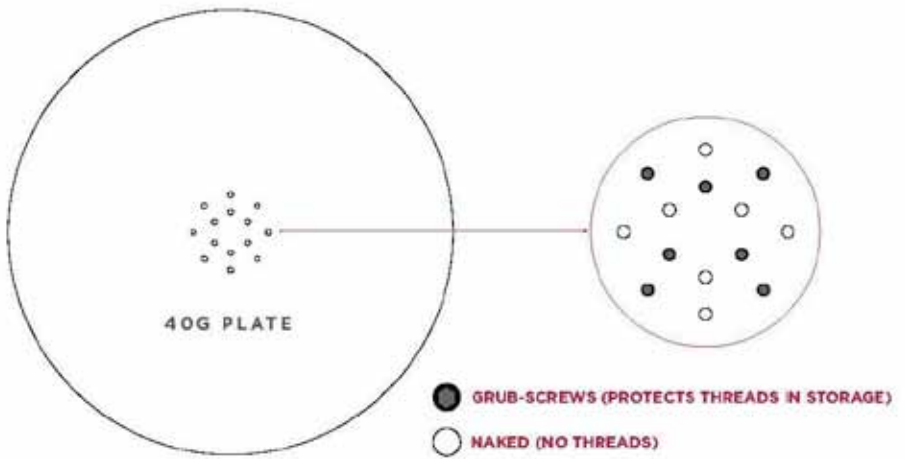
A trusted level.

Once you have decided on the location of the Axis umbrella, make sure you have an area of at least 42" in diameter for the base to rest, then place a plate into position (This will be your bottom plate). You will need to remove the four outer "grub-screws" exposing the threads (on the bottom plate only) before you proceed to stack your second and third plates. Locate the "naked" (these holes will be left open with no "grub-screws") holes on your second plate and rotate the plates to match the naked holes with the bottom plate's threaded holes. Proceed to do the same with your top third place.

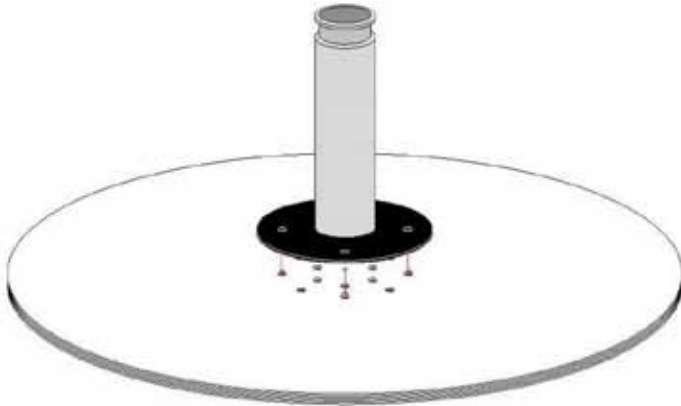
At this point, you should have three stacked G-Plates. Bottom plate has removed "grub-screws" and exposed threading. The top two plates have their "naked" holes lined up with the bottom plates threaded holes.

Remove the spigot from your Axis mast and line up the 4-hole pattern to the correct "naked" holes guiding down to threaded holes of the bottom plate. From here, use the supplied counter-sunk bolts and drop them in the spigot and torque down to the bottom plate.

IMPORTANT: Line up the "naked" holes to the threaded holes you've exposed by removing the "grub-screws" from your bottom plate.



Rotate top two plates so that the naked threadless holes line up with the threaded hole of the bottom plate.



Remove the spigot from the Axis mast and place on the g-plate stack. Using the supplied hardware, bolt down through to the bottom plate.

From here you are ready to mount and enjoy your Axis Cantilever Umbrella.

OPENING THE AXIS CANTILEVER UMBRELLA

1. Remove the strap from the canopy.
2. Loosen Infinity tilt knob (Figure A) to assure slider car (19) is not locked in any one position and moving freely.



3. Gentle spread “fluff” umbrella arms (Figure B). Insert crank handle (30) into the mast and begin cranking in a clockwise rotation.



4. Continue cranking until umbrella is open and hub is either fully inserted into the hub tube (9) or canopy fabric is straight and taut.



NOTE: Do not over crank.

5. Once the umbrella is fully open, hold the slider car knob (20) and slide the car to the desired tilt position and tighten the knob (20) in a clockwise rotation until it is secure.

IMPORTANT: Avoid extreme angles in any windy situations. Always set at 90° when gusty or in moderate winds.

6. When the slider car is at its highest position (90°) the locking pin (20) will automatically engage locking the canopy.

7. The tilt of the canopy can be adjusted as desired at any time by loosening the slider car knob (20), pulling the locking pin outward (if it is engaged) and sliding the slider car up and down the mast.

CLOSING THE AXIS CANTILEVER UMBRELLA

1. Loosen Infinity tilt (Figure A) knob (20) and slide the slider car to a lower natural position.



2. Rotate the winder handle (30) counter-clockwise. The canopy will be begin to fold in (Figure B), continue cranking until the canopy is mostly closed and the arms are pointing almost vertically to the ground.



3. Fold the canopy neatly when storing for extended periods of time to reduce the risk of damage to the canopy caused by constant rubbing against the umbrella frame. To do this, stand in front of the canopy and take hold of the front two panels, pull them away from the umbrella towards your body and roll them together back towards the umbrella frame (A). Hold the rolled panels with one hand, while grabbing a third panel, tightly folding it over the roll to hold it in place, alternate folding over the remaining five panels from left to right.

4. Secure the folded panels in place with the canopy strap, (B) wrapping it firmly around the mast and canopy. Gently push the folded canopy back against the mast so that it is compact.



IMPORTANT: When the umbrella is closed, it should always be firmly strapped to the mast to avoid movement and additional wear.

FITTING THE COVER BAG: Stand in front of the folded canopy and open the cover bag zipper completely. Use the handle rod to lift the cover bag behind the mast and up as high as possible to clear the top of the umbrella. Pull the cover bag

down over the top of the mast and canopy. Zip the cover bag closed. The zip should be on the front side of the canopy (C), not at the back of the mast.

INSTALLING WIND STABILIZER BARS

1. While the umbrella is open, slide the stay block (38) to the height of the stabilizer bars. Begin to thread into the stay block using the thumb-screw.

IMPORTANT: Wind Stabilizer bars are only to be used when the umbrella is at its most stable optimal position. Be sure the locking pin (20) is engaged at its 90° angle.

NOTE: The Axis umbrella does not need to be fitted with the wind stabilizer kit for normal operation in calm to moderate wind conditions. However for higher wind environments or for commercial applications it is advisable to fit the stabilizer kit to add stability to the umbrella.



2. Attach the threaded stainless screw (with the two aluminium bars attached) to the stay block in the mast and tighten the screw sufficiently for the stay block to remain in position without sliding down the mast (Figure B).



3. Swing either aluminium-stay arm off the ground and attach to the umbrella arms using the black 'screw in' fittings. (Figure C).



ROTATING THE AXIS CANTILEVER UMBRELLA

1. Lift the rotation handle (35), releasing the pin from the initial position (Figure A).



2. Lift up on the handle and feel the resistance from the spring that houses the rotating lock pin.

IMPORTANT: When lifting the rotation handle, be sure not to lift the weight of the umbrella. This is not to be used as a handle to lift the umbrella of the spigot. By using the rotating-lift handle (35) as a lever, you can rotate the umbrella on the base (Figure B) until you arrive at the new desired position.



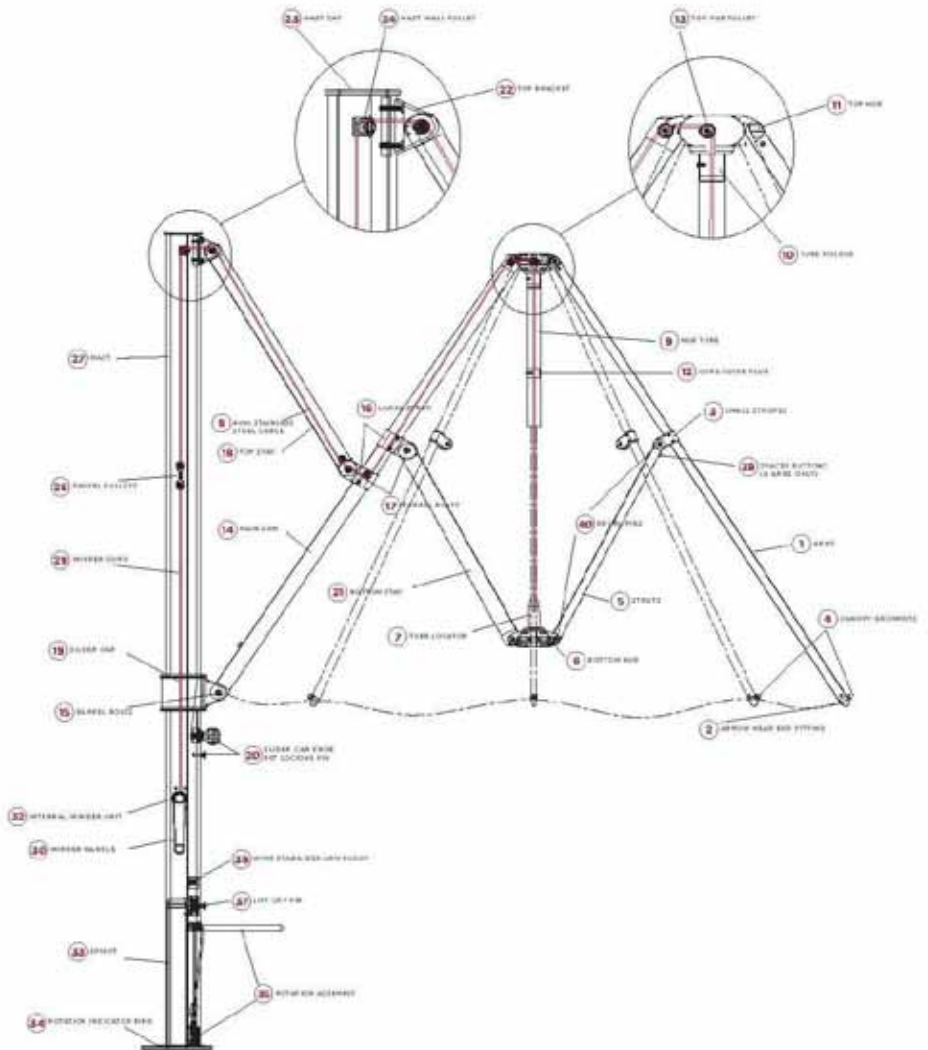
4. Each position is marked by a notch on the spigot plate. Align the indicator arrow with a notch (Figure C). Once aligned with a notch, lower the rotating handle to engage the rotating-lock pin.



IMPORTANT: Do not force the rotating handle down if the indicator arrow is between notch positions. The rotating handle should close easily. If any

resistance is encountered do not force it, rotate the umbrella further until the pin engages in a locking hole.

AXIS CANTILEVER UMBRELLA PARTS KEY



1	ARMS
2	ARROW HEAD END FITTING
3	SMALL STROPS (KNURL PIN NOT INCLUDED)
4	CANOPY GROMMETS
5	STRUTS
6	BOTTOM HUB
7	TUBE LOCATER
8	4MM STAINLESS STEEL CABLE
9	HUB TUBE
10	TUBE HOLDER
11	TOP HUB
12	CORD GUIDE PLUG
13	TOP HUB PULLEY
14	MAIN ARM
15	BARREL BOLTS (SLIDER CAR)
16	LARGE STROP
17	BARREL BOLTS (STROPES)
18	TOP STAY
19	SLIDER CAR
20	SLIDER CAR KNOB/90° LOCKING PIN
21	BOTTOM STAY
22	TOP BRACKET
23	MAST CAP
24	MAST WALL PULLEY
25	SWIVEL CONNECTION
26	MAST
27	WINDER CORD
28	WINDER HANDLE
29	INTERNAL WINDER DRUM
30	SPIGOT
31	ROTATION INDICATOR RING
32	ROTATION ASSEMBLY (COMPLETE)
33	LIFT OFF PIN
34	WIND STABILIZER BLOCK
35	SPACER BUTTON (WITH HARDWARE)
36	KNURL PINS

WARRANTY

CABANACOAST[®] Axis Umbrellas warranty is based on the frame and fabric manufacturers' warranty to CABANACOAST[®]. This warranty is only applicable to products that are properly secured to an appropriately weighted base, installed in ground, or surface mounted. The warranty does not cover damage caused to an umbrella structure or base as a result of improper anchoring, or severe acts of nature, including any damage caused by contact with a foreign object (this includes contact with the ground).

Axis Umbrellas Canopy:

- CABANACOAST[®] offers the original purchaser a 1 year Limited Warranty covering any manufacturing defects for 1 year from date of purchase. Fabrics are warranted based on the warranty provided by the Fabric manufacturer to CABANACOAST[®]: Sunbrella[®] upholstery grade fabric, 5 years, Tempotest[®] Home grade fabric, 6 years. Please refer to our care guide for patio furniture cushions and fabric care instructions.
 - This warranty protects against the loss of characteristics, rot, mildew, and color fastness typical in normal atmospheric conditions. The product must be properly installed and maintained, and under normal use and environment.
 - This warranty does not cover damage caused by: abuse, negligence, vandalism, burns or fire of any kind, improper cleaning techniques, normal wear, perforations, weather soiling; environmental pollution stains, natural disasters, or acts of nature. Damage caused by the storage method or location used by clients is also not covered. The warranty, if applicable, does not cover labor, frames, systems and installation.
 - Replacement fabric canopy is covered for the time remaining in the original warranty and does not activate a new 5 year warranty.

Axis Umbrellas Frame:

- CABANACOAST[®] offers the original purchaser a 5 year Limited Warranty on the frame structure. This warranty includes manufacturer defects to the notch, runner, center pole and skeleton structure.
- This warranty does not include damages sustained to these umbrellas while in any degree of tilt.

Axis Umbrellas Frame Finish:

- CABANACOAST[®] offers the original purchaser a 3 year Limited Warranty on the powder coat finish.
- This warranty includes chipping, peeling, flaking, bubbling, and fading of the powder coat finishes on the aluminum center poles only.

Axis Umbrella Bases:

- CABANACOAST[®] offers the original purchaser a 1 year Warranty from the original date of purchase.

In order to submit a warranty claim, please follow the warranty claim process detailed at www.cabanacoast.com.

FRAME MANUFACTURER'S DISCLAIMERS:

Wind Disclaimer:

Axis Umbrella frames are all thoroughly tested and built to ensure durability and longevity, however we do not recommend the use of any non-permanent umbrella in winds that exceed 25 mph.

Axis Umbrellas should ALWAYS be closed and secured when not in use, and taken down when winds reach unsafe conditions.

The Axis Cantilever Umbrellas are engineered to withstand 35 MPH sustained winds. The addition of the included wind stabilizer bars increases this wind stability by 5 MPH. This wind rating is only valid when the canopy is open at a 90° angle.

PLEASE NOTE: Wind ratings do NOT form part of, nor fall under, any warranty. Wind ratings are intended as guide to the relative strength of the umbrellas only. Wind can be extremely variable, depending on surroundings, elevation, angle of gusts, etc., and in any high wind, ALL umbrellas should be closed and secured immediately.

Rust Disclaimer:

Rust is a natural part of the aging process of all steel or iron based materials and is therefore not considered a defect and is not covered under any warranty. Steel bases and mounts are designed to require minimum maintenance, and should be kept clean and well maintained.

General Disclaimer:

This warranty DOES NOT COVER damage to any Axis Umbrellas or Axis Umbrella Bases related to extreme weather, abuse, or misuse; or any damage which occurs as a result of contact with the ground or any other foreign object due to sudden and severe weather events or other extreme acts of nature.

Axis Umbrella warranty is only applicable to products that are properly secured to Axis Umbrella Bases or anchoring systems equal to or greater than the same. Failure to properly secure Axis Umbrellas to Axis Umbrella Bases equal to or greater than the same will VOID all warranties.

If warrantable damage occurs, CABANACOAST® will refinish, replace or repair any Axis Umbrellas or Axis Umbrella Bases as directed by the manufacturer's own discretion.

PURCHASE/INSTALLATION WARRANTY

This warranty applies to the original purchaser only. In the case of installations, the owner is to ascertain the position of all underground pipes, electrical wires and gas lines, and notify the installer of any obstacles. Although all care will be taken, no responsibility can be accepted for any damage during installation.

All warranties are only valid if the umbrella is opened and closed as per the instructions in this manual. It is highly recommended to close and tie the

umbrella when strong winds are expected. If strong winds are expected for a long period of time, it is recommended that the umbrella be removed from its base and stored. When closing the umbrella for extended periods of time, the canopy must be folded in such a way as to avoid “pinching” of the fabric in the umbrella ribs/arms (refer to page 2 & 8). Wear and tear caused by “pinching” of the fabric by the umbrella framework is not covered under any warranty.

If the umbrella is to be transported without the original packaging, then the canopy should be removed from the frame to avoid damage during transit.

CABANACOAST® reserves the right to determine whether or not fault is caused by faulty workmanship, material or a defective part. Where fault is determined, we reserve the right to repair parts or replace products at our own discretion.