

### AXIS CANTILEVERS:

Modern and elegant, Axis Cantilevers are suitable for both residential and commercial use. Strength, size and durability are achieved using heavy gauge extruded aluminum and stainless steel parts on a corrosion-resistant aluminum frame. Its infinity tilt and 360° rotation delivers complete shade flexibility.



(Shown: Axis 13' Octagonal Cantilever with surface mount)

Available Frame Sizes:



Commercial Patio Umbrella : Axis 13 ft. Octagonal Cantilever AC5



Commercial Patio Umbrella : Axis 10 ft. Square Cantilever AC3

Patented  
11' Octagon Frame



(Please see A, B, C dimensions on next page)



Wind stabilizer bars and Black polyester protective cover included

Please consult a licensed professional for in-ground or surface mounting installations

Umbrella weight tolerances +/- 5 LBS

Actual canopy size +/- 5" – canopy size fluctuates based on the angle and tautness of the fabric



- Full 360° rotation, combined with the Infinity Tilt system, allows for countless tilt angles, providing hours of maximum shade regardless of the position of the sun.
- The crank lift is built for commercial use, yet designed for smooth and effortless operation in any environment.
- The mast and all critical joints are extruded aluminum, ensuring unmatched strength and durability.
- Engineered to withstand 35 MPH winds. Included wind stabilizer kit increases this by 5 MPH.
- Maintenance free stainless steel hardware.
- Multiple mounting options are available, either permanent or semi-permanent, for installation on any surface.

Available Frame Finish:



Mounting & Base Options:

ITEM	PRODUCT CODE	DETAILS	PICTURE
In-Ground Mount:	ACM004	18 LBS; 8.5" DIA. X 20"H; IN-GROUND MOUNTING IN SOIL, CLAY OR CONCRETE; COLOR: MATTE SILVER	
Surface Mount:	ACM001	12 LBS; 12" DIA. X .5"H; DIRECT SURFACE MOUNTING DECK PLATE - CAN BE MOUNTED TO CONCRETE, WOOD DECK OR ANY STABLE SOLID SURFACE; COLOR: BLACK	
Surface Base Options:			
ACB555	555 LBS; 40" DIA. X 2"H; REQUIRED BASE OPTION FOR THE AXIS CANTILEVER SERIES; 3 PLATES BOLT TOGETHER, SPIGOT MOUNTS TO TOP PLATE; COLOR: MATTE SILVER		

Surface Base Options Continued:			
ITEM	PRODUCT CODE	DETAILS	PICTURE
ACB740		740 LBS; 40" DIA. X 3" H; HEAVIER WEIGHT BASE OPTION FOR THE AXIS CANTILEVER SERIES; 4 PLATES BOLT TOGETHER, SPIGOT MOUNTS TO TOP PLATE; COLOR: MATTE SILVER	
Mast Extension:	ACM005	22 LBS; EXTENSION HEIGHT: 12" DIAMETER: 8"; COLOR: BLACK; MOUNTS DIRECTLY TO THE CORRESPONDING DECK PLATE OR IN-GROUND MOUNT. CANTILEVER MOUNTS TO DRUM, EXTENDING THE OVERALL CANOPY CLEARANCE.	

Base weight tolerances +/- 5 LBS

Base diameter tolerances +/- 1"

## AXIS MARKET UMBRELLAS:

Contemporary and refined, Axis Market Umbrellas are suitable for both residential and commercial use. They feature an easy glide pulley system for effortless opening and closing. The sturdy aluminum frame in a highly polished silver anodized finish and solid marine chrome-plated aluminum finial offer the perfect finishing touch to any upscale setting.



### Available Frame Sizes:



Commercial Patio Umbrella : Axis 9 ft. Round  
AC90

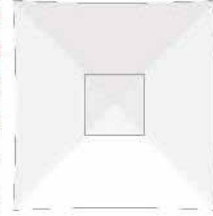


Commercial Patio Umbrella : Axis 6.5 ft. Square  
AC65SQ

**HEIGHT: 108" :A**  
**CLEARANCE: 76" :B**  
**UPPER POLE: 69" :C**  
**LOWER POLE: 37" :D**  
**MAST DIAMETER: 1.5"**  
**WEIGHT: 22 lbs.**



**HEIGHT: 100" :A**  
**CLEARANCE: 87" :B**  
**UPPER POLE: 69" :C**  
**LOWER POLE: 37" :D**  
**MAST DIAMETER: 1.5"**  
**WEIGHT: 15 lbs.**



Umbrella weight tolerances +/- 5 LBS

Actual canopy size +/- 5" – canopy size fluctuates based on the angle and tautness of the fabric




- Heavy gauge pulley and pin system for smooth, easy opening and closing.
- Superior quality 3/4" square aluminum ribs for maximum resiliency without sacrificing design.
- The 1.5" diameter aluminum center pole has a 1/8" wall thickness, providing incredible strength and durability.
- Reinforced four-layer pockets prevent fabric from tearing.
- Modular construction allows for easy repair of individual components if necessary.
- Maintenance free stainless steel hardware.

Available Frame Finish:



**POLISHED SILVER ANODIZED**

Mounting & Base Options:

ITEM	PRODUCT CODE	DETAILS	PICTURE
In-Ground Mount:	ACM006	9 LBS; PLATE DIA. 4"; HEIGHT: 28" OVERALL; STEM HEIGHT ABOVE GROUND: 16"; STEM DIA. 1.5"; FINISH: MATTE SILVER	
Surface Mount:	N/A		
Surface Base Options:			
	ACB100G	100 LBS: PLATE DIA. 30"; BASE HEIGHT: 5"; STEM HEIGHT: 8" OR 18"; STEM DIA.'S: 1.5"/2"; FINISH: MATTE SILVER *CAN BE STACKED 3 HIGH FOR INCREASED WEIGHT & FOOTPRINT	
	ACB150G	150 LBS: PLATE DIA. 36"; BASE HEIGHT: 5"; STEM HEIGHT: 8" OR 18"; STEM DIA.'S: 1.5"/2"; FINISH: MATTE SILVER *CAN BE STACKED 3 HIGH FOR INCREASED WEIGHT & FOOTPRINT	



Surface Base Options Continued:			
ITEM	PRODUCT CODE	DETAILS	PICTURE
	ACB100A	CONCRETE FILLED PREMIUM ALUMINUM SHELL BASE W/ WHEELS - 100 LBS: DIA. 24"; BASE HEIGHT: 4"; STEM HEIGHT: 8" OR 18"; STEM DIA.'S: 1.5"/2"; FINISH: MATTE SILVER	
	ACB150A	CONCRETE FILLED PREMIUM ALUMINUM SHELL BASE W/ WHEELS - 150 LBS: DIA. 30"; BASE HEIGHT: 4"; STEM HEIGHT: 8" OR 18"; STEM DIA.'S: 1.5"/2"; FINISH: MATTE SILVER	

Base weight tolerances +/- 5 LBS

Base diameter tolerances +/- 1"

#### Warranty:

CABANACOAST<sup>®</sup> Axis Umbrellas warranty is based on the frame and fabric manufacturers' warranty to CABANACOAST<sup>®</sup>. This warranty is only applicable to products that are properly secured to an appropriately weighted base, installed in ground, or surface mounted. The warranty does not cover damage caused to an umbrella structure or base as a result of improper anchoring, or severe acts of nature, including any damage caused by contact with a foreign object (this includes contact with the ground).

#### Axis Umbrellas Canopy:

CABANACOAST<sup>®</sup> offers the original purchaser a 1 year Limited Warranty covering any manufacturing defects for 1 year from date of purchase. Fabrics are warranted based on the warranty provided by the Fabric manufacturer to CABANACOAST<sup>®</sup>: Sunbrella<sup>®</sup> upholstery grade fabric, 5 years, Tempotest<sup>®</sup> Home grade fabric, 6 years. Please refer to our care guide for patio furniture cushions and fabric care instructions.

This warranty protects against the loss of characteristics, rot, mildew, and color fastness typical in normal atmospheric conditions. The product must be properly installed and maintained, and under normal use and environment.

This warranty does not cover damage caused by: abuse, negligence, vandalism, burns or fire of any kind, improper cleaning techniques, normal wear, perforations, weather soiling; environmental pollution stains, natural disasters, or acts of nature. Damage caused by the storage method or location used by clients is also not covered. The warranty, if applicable, does not cover labor, frames, systems and installation.

Replacement fabric canopy is covered for the time remaining in the original warranty and does not activate a new 5 year warranty.

#### Axis Umbrellas Frame:

CABANACOAST® offers the original purchaser a 5 year Limited Warranty on the frame structure. This warranty includes manufacturer defects to the notch, runner, center pole and skeleton structure.

This warranty does not include damages sustained to these umbrellas while in any degree of tilt.

#### Axis Umbrellas Frame Finish:

- CABANACOAST® offers the original purchaser a 3 year Limited Warranty on the powder coat finish.

This warranty includes chipping, peeling, flaking, bubbling, and fading of the powder coat finishes on the aluminum center poles only.

#### Axis Umbrella Bases:

CABANACOAST® offers the original purchaser a 1 year Warranty from the original date of purchase.

In order to submit a warranty claim, please follow the warranty claim process detailed at [www.cabanacoast.com](http://www.cabanacoast.com).

#### FRAME MANUFACTURER'S DISCLAIMERS:

##### Wind Disclaimer:

Axis Umbrella frames are all thoroughly tested and built to ensure durability and longevity, however we do not recommend the use of any non-permanent umbrella in wind that exceed 25 mph

Axis Umbrellas should ALWAYS be closed and secured when not in use, and taken down when winds reach unsafe conditions.

The Axis Cantilever Umbrellas are engineered to withstand 35 MPH sustained winds. The addition of the included wind stabilizer bars increases this wind stability by 5 MPH. This wind rating is only valid when the canopy is open at a 90° angle.

PLEASE NOTE: Wind ratings do NOT form part of, nor fall under, any warranty. Wind ratings are intended as guide to the relative strength of the umbrellas only. Wind can be extremely variable depending on surroundings, elevation, angle of gusts, etc., and in any high wind, ALL umbrellas should be closed and secured immediately.

Rust Disclaimer:

Rust is a natural part of the aging process of all steel or iron based materials and is therefore not considered a defect and is not covered under any warranty. Steel bases and mounts are designed to require minimum maintenance, and should be kept clean and well maintained.

General Disclaimer:

This warranty DOES NOT COVER damage to any Axis Umbrellas or Axis Umbrella Bases related to extreme weather, abuse, or misuse; or any damage which occurs as a result of contact with the ground or any other foreign object due to sudden and severe weather events or other extreme acts of nature.

Axis Umbrella warranty is only applicable to products that are properly secured to Axis Umbrella Bases or anchoring systems equal to or greater than the same. Failure to properly secure Axis Umbrellas to Axis Umbrella Bases equal to or greater than the same will VOID all warranties.

If warrantable damage occurs, CABANACOAST® will refinish, replace or repair any Axis Umbrellas or Axis Umbrella Bases as directed by the manufacturer's own discretion.